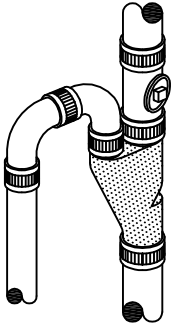


Conine Manufacturing Co., Inc.

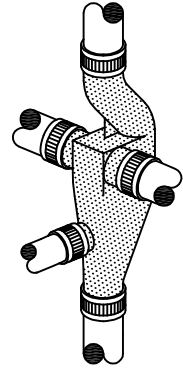


CAST IRON SOVENT®

Technical Update #1501

For

3" DE-AERATOR FITTINGS



INTRODUCTION

Conine Manufacturing Co., Inc. now offers a 3" De-aerator fitting for use on Cast Iron Sovent® DWV systems. This technical update will address guidelines for design and installation. It will be applicable to both printed (copyright 2004) and electronic (E802.04) versions of the **Cast Iron Sovent® Design Manual #802**. The primary purpose is to allow for a 3" Sovent® stack offset at an interim level without increasing the overall stack size. Other applications are possible subject to the limitations listed below.

FEATURES

The 3" De-aerator has the same internal nosepiece and Pressure Relief Line (PRL) as other nominal size De-aerator fittings. The PRL is 3" in size in accordance with national manufacturing standards. This will also permit certain branch connections to the PRL. The 3" De-aerator is designed for use with clear-water waste only. Any 3" Sovent® stack that serves water closets shall use a 4" De-aerator at the base of the stack and is not permitted to offset.

The 3" horizontal drain in conjunction with a 3" De-aerator has a maximum capacity of 24 drainage fixture units (DFU's) at one-quarter inch per foot (2%) slope and 19 DFU's at one-eighth per foot (1%) slope. Table A or A-1 will determine individual fixture DFU values; however, the use of group loading values is not permitted.

SUMMARY

This update will affect the following pages of the **Cast Iron Sovent® Design Manual #802**.

Page 7 / CAST IRON SOVENT® BUILDING DRAIN LOADING - TABLE C

Page 9 / DE-AERATOR DIMENSIONS

Page 11 / SOVENT® DE-AERATOR AND BUILDING DRAIN RULES - PARAGRAPH "I"

The specific revisions are shown on the next page for easy insertion into current versions of our published criteria and will be incorporated into future editions. Contact our office for additional information.

Technical Update #1501 for 3" De-aerators

Cast Iron Sovent® Design Manual #802 - Page 7 Revision

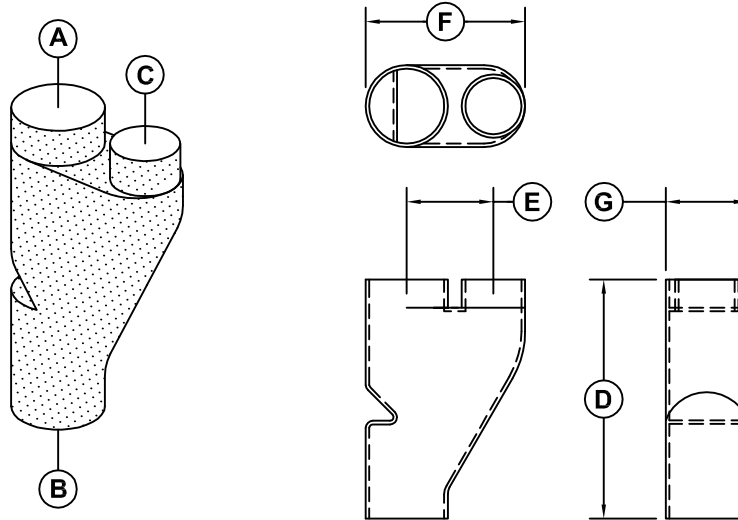
CAST IRON SOVENT® BUILDING DRAIN LOADING TABLE C

Drain Size	1/4"/ft. (2%) Max. D.F.U.	1/8"/ft. (1%) Max. D.F.U.
3"	24	19
4"	120	96
5"	350	280
6"	850	680
8"	2,700	2,160
10"	3,900	3,120
12"	5,800	4,640

Note: This table is also used for sizing horizontal stack offsets. No W.C.'s are permitted on 3" drains.

Cast Iron Sovent® Design Manual #802 - Page 9 Revision

DE-AERATOR DIMENSIONS



Nominal Deaerator Size	Nominal Inlet Size (inches)			Fitting Dimensions (inches)			
	A	B	C	D	E	F	G
3"	3	3	3	10.75	4.00	7.35	3.35
4"	4	4	3	12.75	4.63	8.50	4.38
5"	5	5	4	16.00	5.63	10.50	5.30
6"	6	6	4	20.75	6.75	12.25	6.30
8"	8	8	6	21.00	9.00	16.50	8.38

Cast Iron Sovent® Design Manual #802 - Page 11 Revision

SOVENT® DE-AERATOR AND BUILDING DRAIN RULES

(I) Office building battery type installations and Sovent® stacks serving clothes washers shall use a De-aerator fitting equal in size to the Sovent® building drain serving each stack. A three-inch (3") Sovent® stack serving water closets shall use a four-inch (4") De-aerator at the base of the stack. The use of group (DFU) loading values is not permitted for sizing three-inch (3") horizontal drain lines. A three-inch (3") De-aerator shall serve clear-water waste fixtures only.

Conine Manufacturing Co., Inc.
P. O. Box 2188 - Flint, TX 75762
Phone (903) 894-6150 - Fax (903) 894-6702
www.castironsovent.com