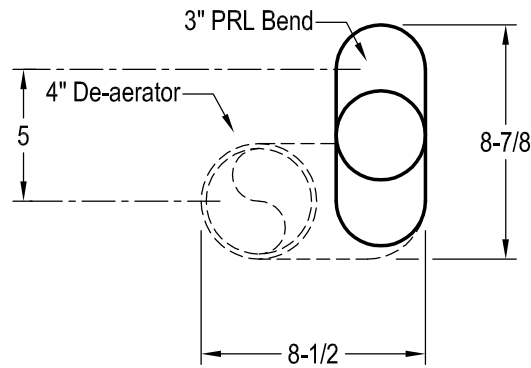
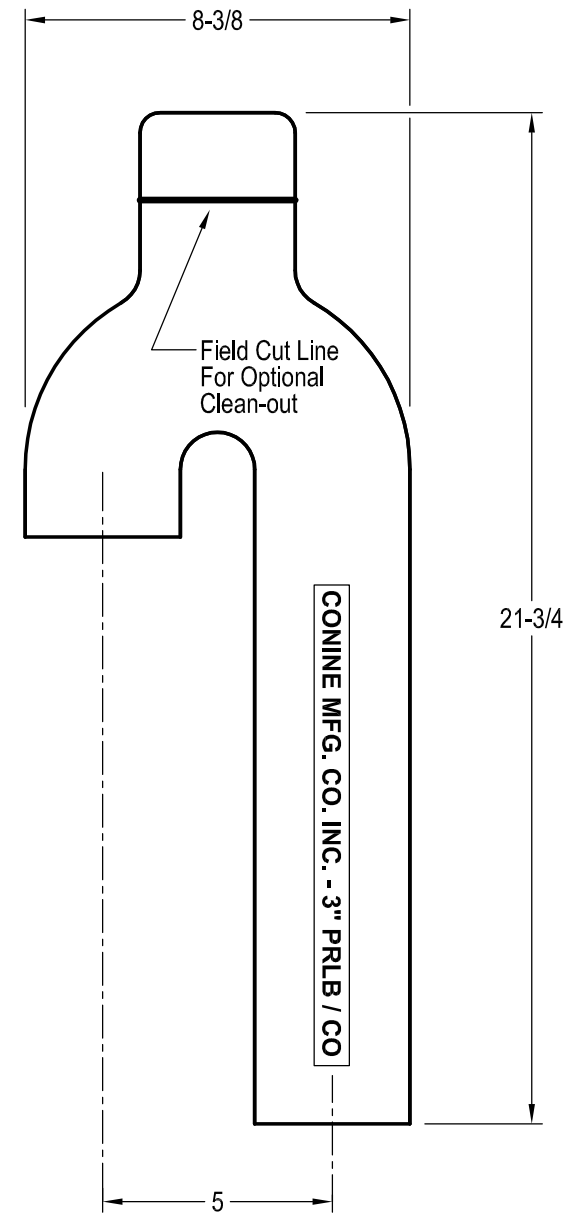


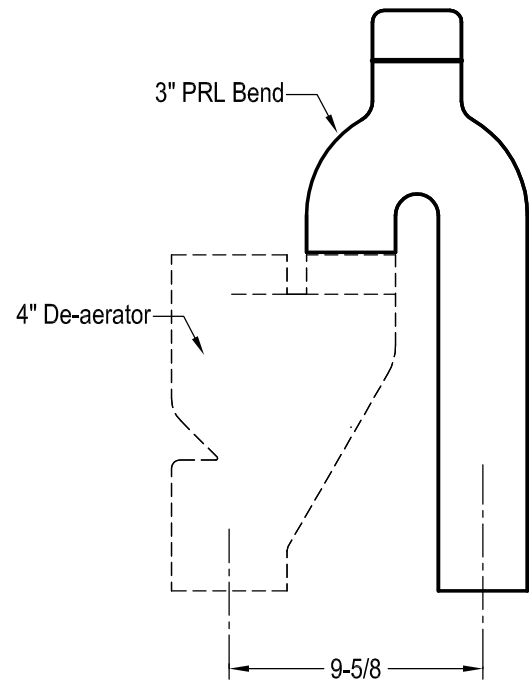
PLAN VIEW - CHASE WALL APPLICATION



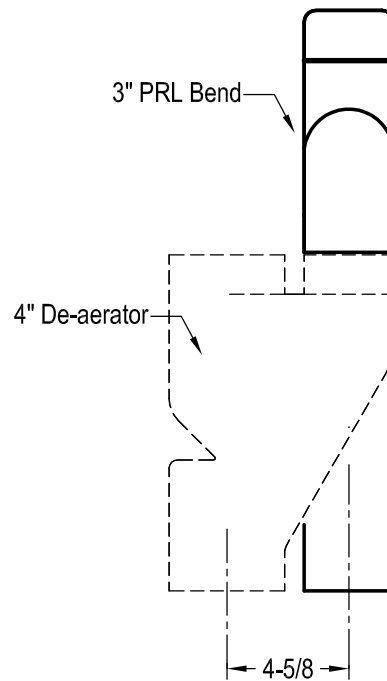
PLAN VIEW - COLUMN APPLICATION



PRL BEND LAYING LENGTHS



ELEVATION VIEW - CHASE WALL APPLICATION



ELEVATION VIEW - COLUMN APPLICATION

Drawing Notes:

- 1) PRL Bend shall be used with Cast Iron Sovent[®] systems supplied by Conine Manufacturing Co., Inc. exclusively.
- 2) Clean-out feature is strictly optional and not required for proper system performance.
- 3) Clean-out cap is furnished closed. Field cut at line indicated - ends shall be free from burrs and flat spots.
- 4) The cap requires a Contractor supplied 3" hub-less coupling assembly.

<p>3" PRL Bend with Optional Clean-out for Cast Iron Sovent[®] Systems</p>
<p>CONINE MANUFACTURING CO., INC. P.O. BOX 2188 - FLINT, TX - 75762 PHN: 903/894-6150 - FAX: 903/894-6702 www.castironsovent.com</p>